



J-Series Telescopic Booms

S[®]-80 J & S-80 J TraX[™]

Specifications

Model	S-80 J & S-80 J TraX	
Measurements	US	Metric
Working height*	86 ft 5 in	26.34 m
Platform height	80 ft 5 in	24.51 m
Horizontal reach	54 ft 9 in	16.69 m
A Platform length - 8 ft model	3 ft	0.91 m
Platform length - 6 ft model	2 ft 6 in	0.76 m
B Platform width - 8 ft model	8 ft	2.44 m
Platform width - 6 ft model	6 ft	1.83 m
C Height - stowed	9 ft	2.74 m
D Length, stowed (working)	34 ft 3 in	10.44 m
Length, transport (jib tucked)	26 ft 2 in	7.98 m
E Width - (tires)	8 ft 2 in	2.49 m
(TraX)	8 ft 4 in	2.54 m
F Wheelbase	10 ft	3.04 m
G Ground clearance - center, tires	14 in	36 cm
Ground clearance - center, TraX	16.25 in	41 cm

Productivity

Maximum lift capacity unrestricted	660 lb	300 kg
Maximum lift capacity restricted	N/A	
Platform rotation	160°	
Turntable rotation	353°, non-continuous	
Turntable tailswing (stowed)	8 ft 4 in	2.54 m
Vertical Jib Rotation - Up	70°	
- Down	56°	
Drive speed - stowed, tires	3.0 mph	4.82 km/h
- stowed, TraX	2.20 mph	3.54 km/h
- elevated, tires	0.68 mph	1.09 km/h
- elevated, TraX	0.50 mph	0.80 km/h
Gradeability - stowed	45%	45%
Turning radius: inside	8 ft 1 in	2.46 m
outside	18 ft 2 in	5.54 m
Maximum slope rating, counterweight uphill / downhill	45% / 20%	
Maximum sideslope rating	20%	
Controls	12V DC proportional	
Tires, std	355/55D 625	

Power

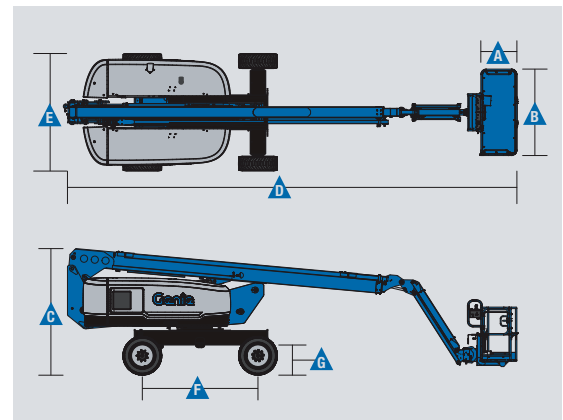
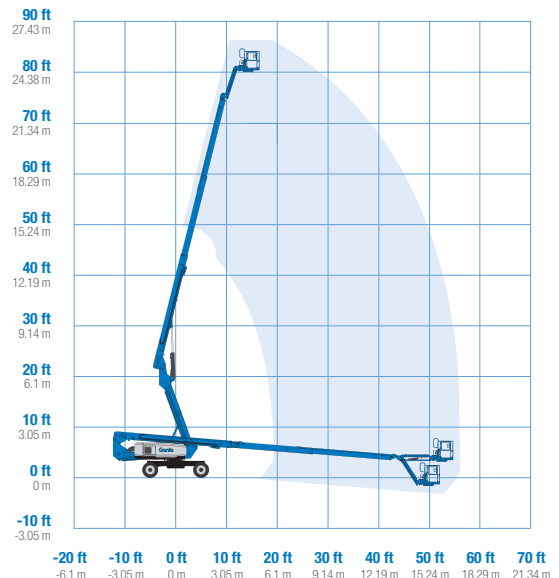
Power source	Kubota Diesel, D1803-CR-TIE4, 3-cyl. turbo diesel, 49 hp Deutz ROW, D2011 L03i, 3-cyl. diesel, 49 hp	
Hydraulic tank capacity	23 gal	87 liters
Hydraulic system capacity	27 gal	102 liters
Fuel tank capacity	30 gal	114 liters

Weight** - tires	24,500 lb	11,113 kg
- TraX	28,700 lb	13,018 kg

Standards Compliance ANSI A92.2, CSA C225, EN 280, AS 1418.10

* The metric equivalent of working height adds 2 m to platform height. U.S. adds 6 ft to platform height.
** Weight will vary depending on options and/or country standards.

Range Of Motion S-80 J



AERIAL TITANS
866-874-0584
WWW.AERIALTITANS.COM



J-Series Telescopic Booms

S[®]-80 J & S-80 J TraX[™]

Features

Standard Features

Measurements

S-80 J

- 86 ft 5 in (26.34 m) working height
- 54 ft 9 in (16.69 m) horizontal reach
- 660 lbs (300 kg) lift capacity

Productivity

- Self-leveling platform
- 6 ft (1.83 m) jib boom
- 160° hydraulic platform rotation
- Proportional joystick controls
- Drive enable
- AC power cord to platform
- Horn
- Hour meter
- Tilt alarm
- Descent alarm
- 353° non-continuous turntable rotation
- Locking turntable covers
- Positive Traction Drive
- Two speed wheel motors
- Lift Connect[™] Telematics
- Entry Toeboard
- Lift Guard[™] Contact Alarm
- Hydraulic oil cooler

Power

- 12 V DC auxiliary power
- Anti-restart engine protection
- Auto engine fault shutdown

Drive

- 4WD (standard)
- Active oscillation

Easily Configured To Meet Your Needs

Platform Options

- Steel 8 ft (2.44 m) tri entry with side swing gate (standard)
- Steel 6 ft (1.83 m) dual entry with side swing gate

Engine Options

- Kubota Diesel, 3-cyl. turbo diesel, 49 hp
- Deutz ROW, 3-cyl. diesel, 49 hp

Tire Options

- Rough terrain foam-filled (standard)
- Rough terrain non-marking (foam-filled)
- TraX (Vermeer track system)

Options & Accessories

Productivity Options

- Lift Guard Platform Mesh - Half
- Lift Guard Platform Mesh - Full
- Platform top auxiliary rail
- Lift Power[™]
 - 3 kW AC Generator
 - 12 kW 240 V / 60 Hz Welder Ready package
 - 12 kW Welder Equipped, Select Lincoln or Miller (12 kW options include a fire extinguisher and fireproof sleeves)
- Air line to platform
- Specialty hydraulic oil (cold weather, fire resistant, or biodegradable)
- Hostile environment kit
- Deluxe hostile environment kit
- Aircraft protection package (6 ft platform only)
- Thumb rocker steer
- Panel cradle package
- Work light package
- Fall Arrest Bar

Power Options

- Cold Weather Packages
- Intake air pre-cleaner
- Positive Air Shutoff System



<< go back

Genie United States

6464 185th Ave. NE
 Redmond, WA 98052
 Telephone +1 (425) 881-1800
 Toll Free in USA/Canada +1 (800)-536-1800
 Fax +1 (425) 883-3475

AERIAL TITANS 866-874-0584
 WWW.AERIALTITANS.COM

Effective Date: May, 2020. Product specifications and prices are subject to change without notice or obligation. The photographs and/or drawings in this document are for illustrative purposes only. Refer to the appropriate Operator's Manual for instructions on the proper use of this equipment. Failure to follow the appropriate Operator's Manual when using our equipment or to otherwise act irresponsibly may result in serious injury or death. The only warranty applicable to our equipment is the standard written warranty applicable to the particular product and sale and we make no other warranty, express or implied. Products and services listed may be trademarks, service marks or trade names of Terex Corporation and/or their subsidiaries in the USA and many other countries. Terex, Genie and AWP are registered trademarks of Terex Corporation or its subsidiaries. © 2020 Terex Corporation.