

<< go back

niftylift

TM42T




**AERIAL
TITANS**
866-874-0584
WWW.AERIALTITANS.COM

(A) 48ft 6in 

(B) 42ft 

(C) 25ft 

500lbs 

4ft 7in x 2ft 4in 

(D) 6ft 7in 


(F) 5ft 3in 

(G) 12ft 6in 

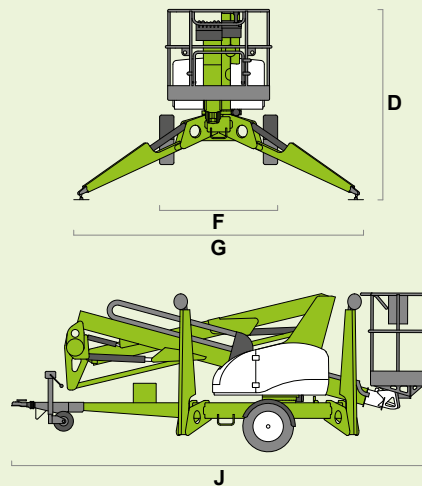
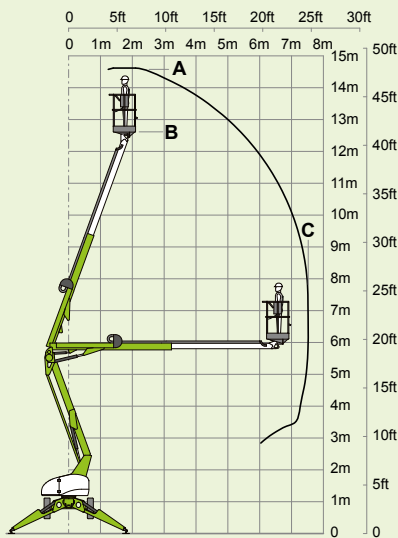
(J) 18ft 3in 

Option 

3990lbs 

23%
13° 

 **Bi-Energy** 



niftylift
1525 S. Buncombe Road,
Greer, SC - 29651
United States
1-800-643-8954
usasales@niftylift.com
www.niftylift.com

 ISO 9001 QUALITY MANAGEMENT	 ISO 14001 ENVIRONMENTAL MANAGEMENT	 ISO 45001 HEALTH & SAFETY MANAGEMENT
---	--	--

**AERIAL
TITANS**
866-874-0584
WWW.AERIALTITANS.COM