

<< go back

# niftylift

## AERIAL TITANS

866-874-0584  
WWW.AERIALTITANS.COM



# TM34T



(A) 40ft



(B) 33ft 6in



(C) 20ft



440lbs



3ft 7in x 2ft 2in



(D) 6ft 3in



(F) 4ft 11in



(G) 11ft 8in



(J) 14ft 9in



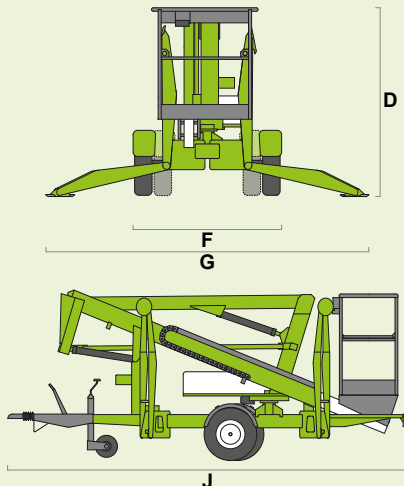
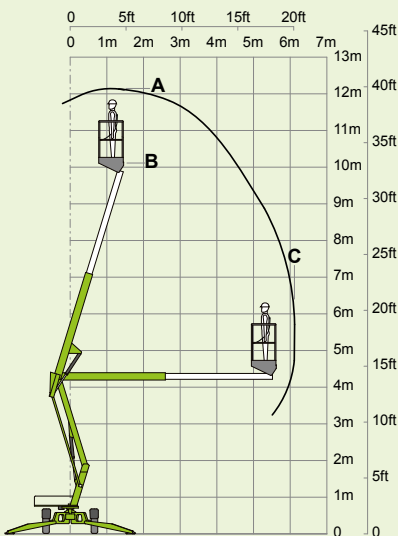
Option



3110lbs



11%  
6°



**niftylift**  
1525 S. Buncombe Road,  
Greer, SC - 29651  
United States  
1-800-643-8954  
usasales@niftylift.com  
www.niftylift.com

ISO 9001	ISO 14001	ISO 45001
QUALITY MANAGEMENT	ENVIRONMENTAL MANAGEMENT	HEALTH & SAFETY MANAGEMENT

**AERIAL TITANS**  
866-874-0584  
WWW.AERIALTITANS.COM

**Bi-Energy**

