

<< go back

# niftylift

**AERIAL  
TITANS**

866-874-0584  
WWW.AERIALTITANS.COM



**SP64 4x4**



(A) 68ft 6in



(B) 62ft



(C) 42ft



550lbs



5ft 11in x 2ft 9in



150°



100°



(D) 7ft



(F) 7ft 5in



(H) 17ft 5in



(J) 22ft



4.1mph



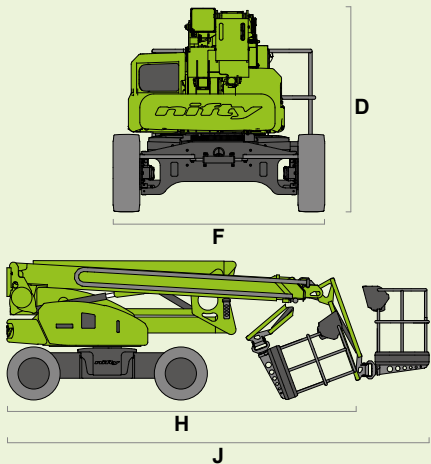
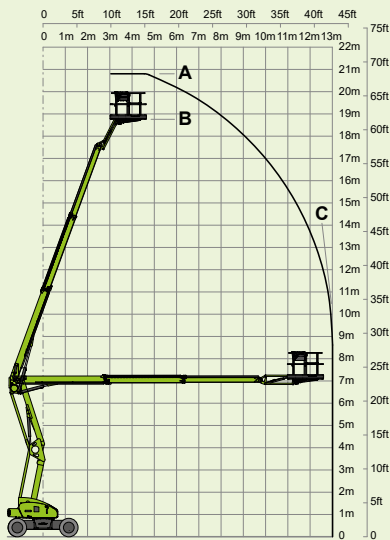
13ft



45%  
24°



14790lbs



**SiOPS®** Niftylink®  
**toughcage** Gen<sup>2</sup> Hybrid

**niftylift**  
1525 S. Buncombe Road,  
Greer, SC - 29651  
United States  
1-800-643-8954  
usasales@niftylift.com  
www.niftylift.com



**AERIAL  
TITANS**  
866-874-0584  
WWW.AERIALTITANS.COM

**Hybrid<sup>2</sup>**

