

## SJ85 AJ

### ARTICULATING BOOMS



#### STANDARD FEATURES

- EASYDRIVE™ Direction sensing drive and steer controls
- SPEEDYREACH™ Negative boom angle capability
- SKYRISER™ True vertical rise
- AXLDRIIVE™ Axle-based 4WD system
- Operator controlled locking rear differential and limited slip front differential
- Oscillating steer axle
- Drivable at full height
- 45% Gradeability
- Wet disc SAHR brakes (front and rear axle)
- Relay based control system with SKYCODED™ color coded and numbered wiring
- Deutz TD2.9L4 diesel engine
- Swing out engine tray
- Swing up cowlings for easy access
- Lockable power disconnect switch
- Proportional controls
- 500/750 lbs (227/340 kg) Dual capacity
- 36" x 96" Platform
- Bolt-in platform railing system
- Lanyard attachment points
- Tri-entry sliding mid-rails
- Secondary Guarding Electrical (SGE)
- Overload sensing system
- 110V AC Outlet on platform with GFI
- Tilt alarm (5.0° x 5.0°) with drive and lift cut-out
- Single point emergency lowering
- Hourmeter
- Operator horn
- All motion alarm
- 360° Continuous turret rotation
- Tie down/lifting lugs
- 18 x 625 Grip lug foam-filled tires
- Telematics ready
- 2-Year Gold Leaf Warranty (5-year structural warranty)

#### OPTIONS

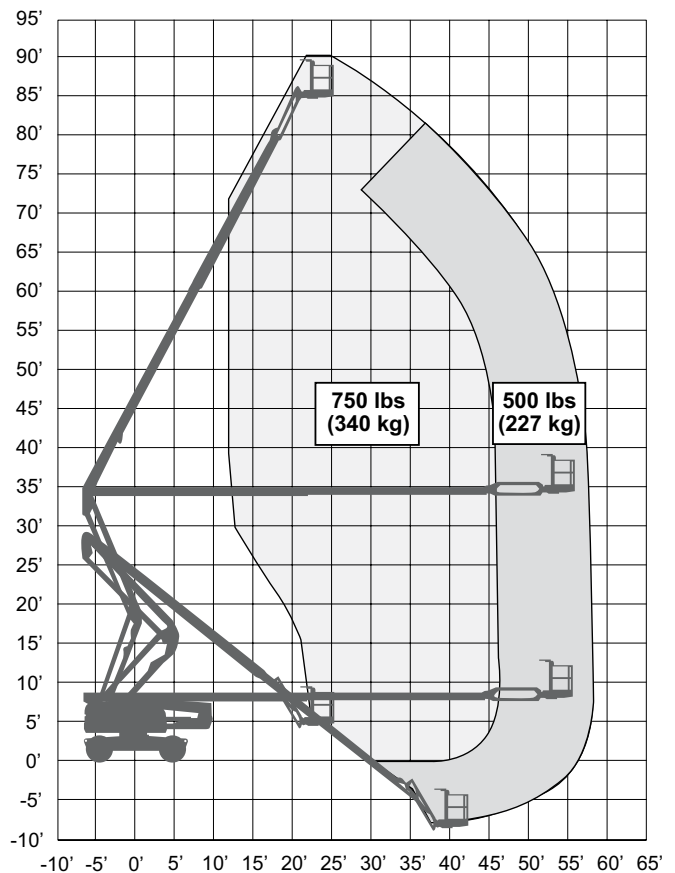
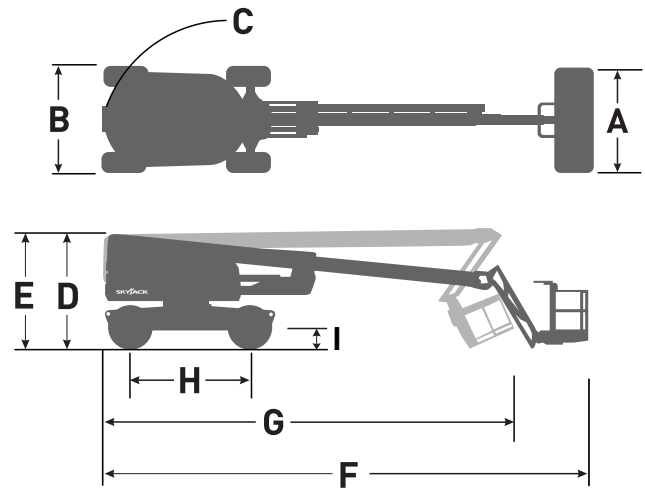
- Pipe rack
- Tool caddy
- Flashing light
- 36" x 72" Platform
- Side gate
- Auxiliary top rail (36 x 96" platform only)
- 3.5 kW Generator (includes hydraulic oil cooler)
- Welder ready package (includes 12 kW generator, hydraulic oil cooler, 3 phase power connection in platform, and welder mount.)
- Welder package (includes 12 kW generator, hydraulic oil cooler, 3 phase power connection in platform, welder mount and Lincoln V275-S welder)
- Cold weather start kit (Recommended for regions where average monthly low temperatures can reach 4°F / -10°C (includes cold start engine oil, battery blanket, hydraulic tank heater, and engine load kit (Deutz TD2.9L4))
- Arctic weather package (Recommended for regions where average monthly low temperatures can reach -0.4°F / -18°C (Includes arctic engine oil, battery blanket, hydraulic tank heater, engine load kit (Deutz TD2.9L4), block heater, arctic hydraulic oil, arctic platform rotator and arctic gear oil in the axles and swing drive Glow plugs, arctic hydraulic hoses (all), and oversized foot switch cover are also included (standard equipment))
- Kubota WG3800 dual fuel engine
- Extra propane tank and bracket (dual fuel only)
- Positive air shut-off valve (only available on Deutz diesel engine)
- Hydraulic oil cooler
- Bio oil
- Hostile environment package (includes cylinder bellows, boom wipers, covers for the fly boom cutouts, and control box cover)
- Control box cover
- Grip lug foam-filled non-marking tires
- Non destructive testing
- ELEVATE telematics

† Standard lead times may be increased when optional equipment is added, consult factory.  
‡ Capacities and machine weights may differ when options are added.

# SJ85 AJ ARTICULATING BOOMS

Dimensions	SJ85 AJ
Work Height	91' (27.74 m)
Platform Height	85' (25.91 m)
Horizontal Reach	56' (17.07 m)
Up and Over Height	34' (10.36 m)
<b>A</b> Platform Size	36" x 96" (0.91 x 2.4 m)
<b>B</b> Stowed Width	8' 2" (2.49 m)
<b>C</b> Tailswing	2' 10" (0.86 m)
<b>D</b> Stowed Height	8' 9" (2.67 m)
<b>E</b> Transportation Height	8' 9" (2.67 m)
<b>F</b> Stowed Length	38' 2" (11.63 m)
<b>G</b> Transportation Length	32' 11" (10.03 m)
<b>H</b> Wheelbase	9' 4" (2.84 m)
<b>I</b> Ground Clearance	13.25" (0.34 m)

Specifications	SJ85 AJ
Rotation	360° Continuous
Platform Rotation	170°
Jib Length	5' 6" (1.68 m)
Jib Range +/-	+65° / -60°
Weight	36,300 lbs (16,465 kg)
Gradeability	45%
Turning Radius (Inside)	10' (3.05 m)
Turning Radius (Outside)	20' 5" (6.22 m)
Axle Oscillation	4" (10.16 cm)
Drive Speed (High speed)	3 mph (4.8 km/h)
Capacity	500 / 750 lbs (227 / 340 kg)
Maximum Wind Rating	28 mph (12.5 m/s)
Personnel Rating at Max Wind Rating	2 / 3
Tire Type	Foam-Filled
Tire Size	18-625
Diesel Engine	Deutz TD2.9L - 74 HP (55 KW)
Duel Fuel Engine	Kubota WG3800 - 87 HP (65 KW)
Fuel Tank Capacity	30.4 gal. (115 L)
Hydraulic Reservoir	45 gal. (170 L)



SJ85 AJ WORKING ENVELOPE

Skyjack Head Office  
55 Campbell Rd. Guelph, ON Canada N1H 1B9  
Sales Inquiries: 1-877-755-4387 (1-877-SJLIFTS)  
Main Switchboard: 1-800-265-2738  
Phone: 519-837-0888  
Fax: 519-837-8104  
Email: skyjack@skyjack.com

[www.skyjack.com](http://www.skyjack.com)

**AERIAL  
TITANS**

866-874-0584

WWW.AERIALTITANS.COM

**SKYJACK**  
simply reliable