

## SJ3215/19

### ELECTRIC SCISSORS



#### STANDARD FEATURES

- Drivable at full height
- Variable speed, front two wheel hydraulic drive
- 90° Steering (zero inside turning radius)
- Dual holding brakes
- SKYCODED™ Color coded and numbered wiring system
- RAPIDFOLD hinged railing system (SJ3219 only)
- On-board visual interface with diagnostic capabilities
- Shroud style, impact resistant composite control box with extended cable
- Proportional controls for drive & lift functions
- Tilt sensor (3.5° x 1.5°)
- 3' (0.91 m) Roll out extension deck
- 24V DC Power source
- Low voltage battery protection
- 25% Gradeability
- Solid rubber, non-marking tires
- Pothole protection system
- 110V AC Outlet on platform with GFI
- 28 mph (12.5 m/s) Wind rating
- Tilt alarm with drive & lift cut-out
- All motion audible alarm
- Lanyard attachment points
- Operator horn
- Forklift pockets and tie down / lift lugs
- Overload sensing system
- Fold down hinged railing system (SJ3215 only)
- Half height spring hinged entry gate
- Telematics ready
- 2-Year Gold Leaf Warranty (5-year structural warranty)

#### OPTIONS

- Light duty pipe rack
- Heavy duty pipe rack
- Board carrier
- Tool caddy
- Flashing light
- Dual flashing lights
- 800W AC Inverter
- 250 Ah Batteries (cannot be combined with EE rating package)
- AGM Batteries
- Lockable swingout trays
- EE Rating package (not available with telematics keypad)
- Full height spring hinged entry gate
- Bio oil
- Secondary Guarding Lift Enable (SGLE)
- Non-destructive testing
- ECOTRAY leak containment system
- ELEVATE telematics (3-year or 5-year plans available)
- ELEVATE Battery Management System (BMS) \*
- Warranty options (3-year or 5-year plans available)

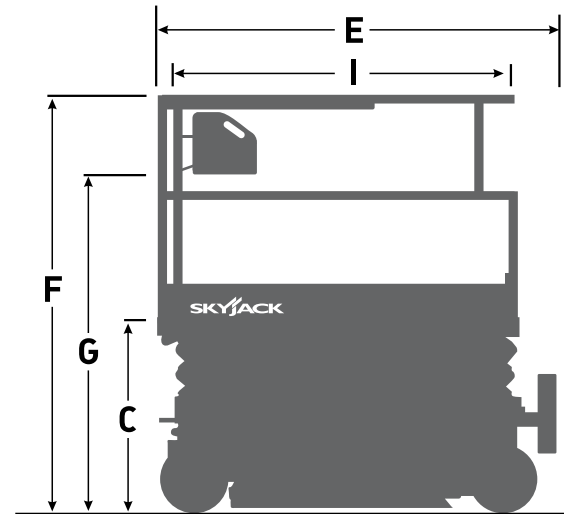
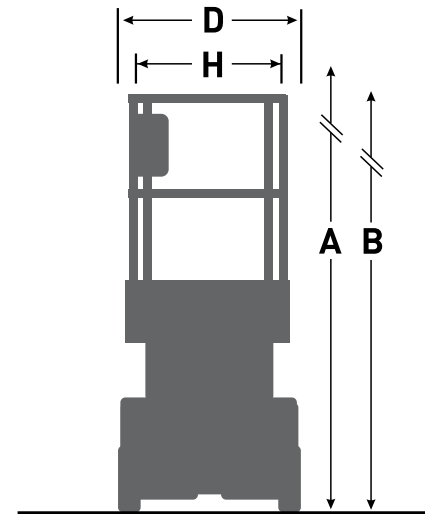
† Standard lead times may be increased when optional equipment is added, consult factory.

‡ Capacities and machine weights may differ when options are added.

\* Only available with ELEVATE telematics

# SJ3215/19 ELECTRIC SCISSORS

Dimensions	SJ3215	SJ3219
<b>A</b> Work Height	20' 7" (6.27 m)	24' 6" (7.47 m)
<b>B</b> Raised Platform Height	14' 7" (4.44 m)	18' 6" (5.64 m)
<b>C</b> Lowered Platform Height	36" (0.91 m)	41" (1.04 m)
<b>D</b> Overall Width	32" (0.81 m)	32" (0.81 m)
<b>E</b> Overall Length	71" (1.80 m)	71" (1.80 m)
<b>F</b> Stowed Height (Rails Up)	79.5" (2.03 m)	84" (2.13 m)
<b>G</b> Stowed Height (Rails Down)	66" (1.67 m)	79.75" (2.02 m)
<b>H</b> Platform Width (Inside Dimension)	26" (0.66 m)	26" (0.66 m)
<b>I</b> Platform Length (Inside Dimension)	61" (1.55 m)	61" (1.55 m)
Specifications	SJ3215	SJ3219
Extension Deck (Roll Out)	3' (0.91 m)	3' (0.91 m)
Ground Clearance (Pothole Raised)	3.5" (8.9 cm)	3.5" (8.9 cm)
Ground Clearance (Pothole Deployed)	0.5" (1.3 cm)	0.5" (1.3 cm)
Wheelbase	54" (1.37 m)	54" (1.37 m)
Weight	2,531 lbs (1,148 kg)	3,255 lbs (1,476 kg)
Gradeability	25%	25%
Turning Radius (Inside)	0	0
Turning Radius (Outside)	65" (1.65 m)	65" (1.65 m)
Lift Time (With Rated Load)	17 sec	19 sec
Lower time (With Rated Load)	16 sec	25 sec
Drive Speed (Stowed)	2.1 mph (3.4 km/h)	2.1 mph (3.4 km/h)
Drive Speed (Raised)	0.7 mph (1.1 km/h)	0.7 mph (1.1 km/h)
Maximum Drive Height	Full Height	Full Height
Capacity (Overall)	600 lbs (272 kg)	500 lbs (227 kg)
Distributed Capacity (Main Platform)	350 lbs (159 kg)	250 lbs (113 kg)
Distributed Capacity (Extension Deck)	250 lbs (113 kg)	250 lbs (113 kg)
Local Floor Load (With Rated Load)	159 psi (1,093 kPa)	168 psi (1,159 kPa)
Overall Floor Load (With Rated Load)	203 psf (991 kg/m <sup>2</sup> )	243 psf (1,188 kg/m <sup>2</sup> )
Maximum # of persons at 0 mph (0 m/s) wind rating	2	2
Maximum # of persons up to 28 mph (12.5 m/s) wind rating	1	1
Tire Type	Solid, N/M	Solid, N/M
Tire Size	12 x 4 x 8	12 x 4 x 8



**AERIAL  
TITANS**

866-874-0584  
WWW.AERIALTITANS.COM

Skyjack Head Office  
55 Campbell Rd. Guelph, ON Canada N1H 1B9  
Sales Inquiries: 1-877-755-4387 (1-877-SJLIFTS)  
Main Switchboard: 1-800-265-2738  
Phone: 519-837-0888  
Fax: 519-837-8104  
Email: skyjack@skyjack.com

[www.skyjack.com](http://www.skyjack.com)

**SKYJACK**  
simply reliable