

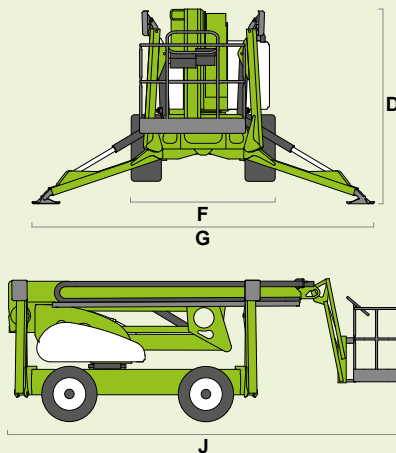
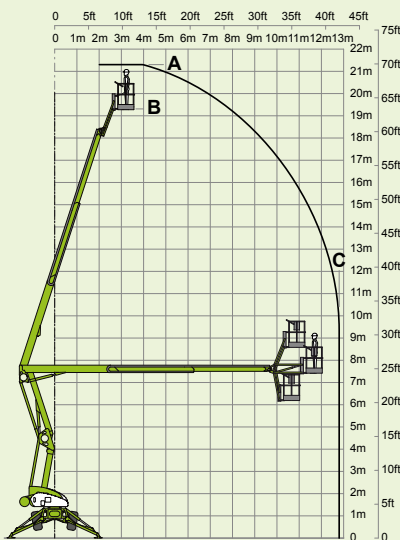
<< go back

niftylift

SD64 4x4x4



**AERIAL
TITANS**
866-874-0584
WWW.AERIALTITANS.COM



(A) 70ft



(B) 63ft 6in



(C) 42ft



500lbs



5ft 11in x 2ft 9in



150°



100°



(D) 7ft 5in



(F) 6ft 9in



(G) 13ft 9in



(J) 20ft 2in



5.6mph



11ft 6in



45°
24°



9170lbs



18%
10°



niftylift
1525 S. Buncombe Road,
Greer, SC - 29651
United States
1-800-643-8954
usasales@niftylift.com
www.niftylift.com

ISO 9001	ISO 14001	ISO 45001
QUALITY MANAGEMENT	ENVIRONMENTAL MANAGEMENT	HEALTH & SAFETY MANAGEMENT

**AERIAL
TITANS**
866-874-0584
WWW.AERIALTITANS.COM