



J-Series Telescopic Booms

S[®]-60 J

Specifications

Model	S-60 J	
Measurements	US	Metric
Working height*	66 ft 10 in	20.5 m
Platform height	60 ft 10 in	18.5 m
Horizontal reach	40 ft 6 in	12.3 m
A Platform length - 8 ft model	3 ft	0.91 m
Platform length - 6 ft model	2 ft 6 in	0.76 m
B Platform width - 8 ft model	8 ft	2.44 m
Platform width - 6 ft model	6 ft	1.83 m
C Height - stowed	8 ft 10 in	2.69 m
D Length, stowed (working)	31 ft 10 in	9.70 m
Length, transport (jib tucked)	23 ft 6 in	7.16 m
E Width	8 ft 2 in	2.49 m
F Wheelbase	8 ft	2.44 m
G Ground clearance, center	1 ft 10 in	56.4 cm

Productivity

Maximum lift capacity unrestricted	660 lb	300 kg
Maximum lift capacity restricted	N/A	
Platform rotation	160°	
Turntable rotation	353°, non-continuous	
Turntable tailswing (stowed)	5 ft 2 in	1.57 m
Vertical Jib Rotation - Up	75°	
- Down	55°	
Horizontal Jib Rotation	N/A	
Drive speed - stowed	3 mph	4.82 km/h
- elevated	0.68 mph	1.09 km/h
Gradeability - stowed	45%	45%
Turning radius: inside	8 ft 1 in	2.46 m
outside	18 ft 5 in	5.61 m
Maximum slope rating, counterweight uphill / downhill	45% / 25%	
Maximum sideslope rating	25%	
Controls	12V DC proportional	
Tires, std	315/55D20	

Power

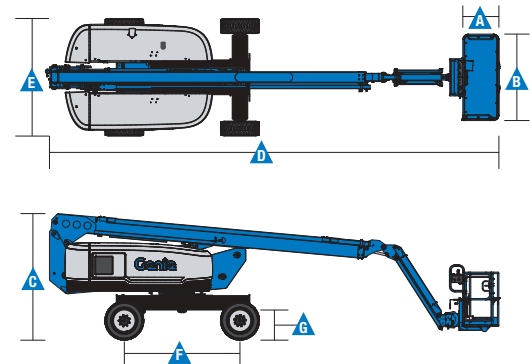
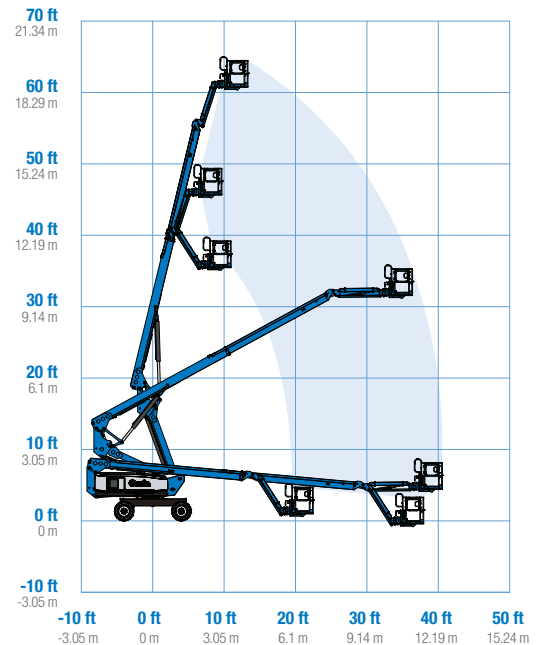
Power source	Kubota Diesel, D1105-E4B, 3-cyl. diesel, 24 hp Kubota Diesel, D1803-CR-TIE4, 3-cyl. turbo diesel, 49 hp Deutz ROW, D2011 LQ3i, 3-cyl. diesel, 49 hp	
Hydraulic tank capacity	21 gal	79 liters
Hydraulic system capacity	25 gal	95 liters
Fuel tank capacity	30 gal	114 liters

Weight**	16,650 lb	7,550 kg
----------	-----------	----------

Standards Compliance	ANSI A92.2, CSA C225, EN 280, AS 1418.10
----------------------	--

* The metric equivalent of working height adds 2 m to platform height. U.S. adds 6 ft to platform height.
** Weight will vary depending on options and/or country standards.

Range Of Motion S-60 J



AERIAL TITANS
866-874-0584
WWW.AERIALTITANS.COM



J-Series Telescopic Booms

S[®]-60 J

Features

Standard Features	Easily Configured To Meet Your Needs	Options & Accessories
-------------------	--------------------------------------	-----------------------

Measurements

S-60 J

- 66 ft 10 in (20.5 m) working height
- 40 ft 6 in (12.3 m) horizontal reach
- 660 lbs (300 kg) lift capacity

Productivity

- Self-leveling platform
- 6 ft (1.83 m) jib boom
- 160° hydraulic platform rotation
- Proportional joystick controls
- Drive enable
- AC power cord to platform
- Horn
- Hour meter
- Tilt alarm
- Descent alarm
- 353° non-continuous turntable rotation
- Locking turntable covers
- Positive Traction Drive
- Two speed wheel motors
- Lift Connect™ Telematics
- Entry Toeboard
- Lift Guard™ Contact Alarm
- Hydraulic oil cooler

Power

- 12 V DC auxiliary power
- Anti-restart engine protection
- Auto engine fault shutdown

Drive

- 4WD (standard)
- Active oscillation

Platform Options

- Steel 8 ft (2.44 m) tri entry with side swing gate (standard)
- Steel 6 ft (1.83 m) dual entry with side swing gate

Engine Options

- Kubota Diesel, 3-cyl. diesel, 24 hp
- Kubota Diesel, 3-cyl. turbo diesel, 49 hp
- Deutz ROW, 3-cyl. diesel, 49 hp

Tire Options

- Rough terrain foam-filled (standard)
- Rough terrain non-marking (foam-filled)



Productivity Options

- Lift Guard Platform Mesh - Half
- Lift Guard Platform Mesh - Full
- Platform top auxiliary rail
- Lift Power™
 - 3 kW AC Generator
 - 12 kW 240 V / 60 Hz Welder Ready package
 - 12 kW Welder Equipped, Select Lincoln or Miller (12 kW options include a fire extinguisher and fireproof sleeves)
- Air line to platform
- Specialty hydraulic oil (cold weather, fire resistant, or biodegradable)
- Hostile environment kit
- Deluxe hostile environment kit
- Aircraft protection package (6 ft platform only)
- Thumb rocker steer
- Alarm package
- Panel cradle package
- Work light package
- Fall Arrest Bar

Power Options

- Cold Weather Packages
- Intake air pre-cleaner
- Positive Air Shutoff System

AERIAL TITANS
866-874-0584
WWW.AERIALTITANS.COM

Genie United States

6464 185th Ave. NE
 Redmond, WA 98052
 Telephone +1 (425) 881-1800
 Toll Free in USA/Canada +1 (800)-536-1800
 Fax +1 (425) 883-3475

Distributed By:

Effective Date: February, 2020. Product specifications and prices are subject to change without notice or obligation. The photographs and/or drawings in this document are for illustrative purposes only. Refer to the appropriate Operator's Manual for instructions on the proper use of this equipment. Failure to follow the appropriate Operator's Manual when using our equipment or to otherwise act irresponsibly may result in serious injury or death. The only warranty applicable to our equipment is the standard written warranty applicable to the particular product and sale and we make no other warranty, express or implied. Products and services listed may be trademarks, service marks or trade names of Terex Corporation and/or their subsidiaries in the USA and many other countries. Terex, Genie and AWP are registered trademarks of Terex Corporation or its subsidiaries. © 2020 Terex Corporation.