

**AERIAL  
TITANS**

866-874-0584

WWW.AERIALTITANS.COM

# HT67 RTJ O / PRO



## OUTSTANDING PERFORMANCE & PRODUCTIVITY

- > Superior work envelope
- > Platform load capacity 500 lb
- > Dual load 500-1000 lb (Standard in US & Canada)

## RELIABLE SAFETY AND COMFORT

- > Haulotte Activ'Shield Bar 2.0 (standard on PRO)
- > Haulotte Activ'Lighting System for safe loading/unloading in low visibility conditions (standard on PRO)
- > Quick, proportional and simultaneous movements
- > Rigid boom

## MINIMIZED TOTAL COST OF OWNERSHIP

- > Haulotte Activ'Screen diagnostic display for onboard fault & service alerts
- > Haulotte Stop Emission System automatically turns engine off & on
- > Easy access to all components
- > Exclusive modular platform, quick and easy to repair

**AERIAL  
TITANS**

866-874-0584

WWW.AERIALTITANS.COM

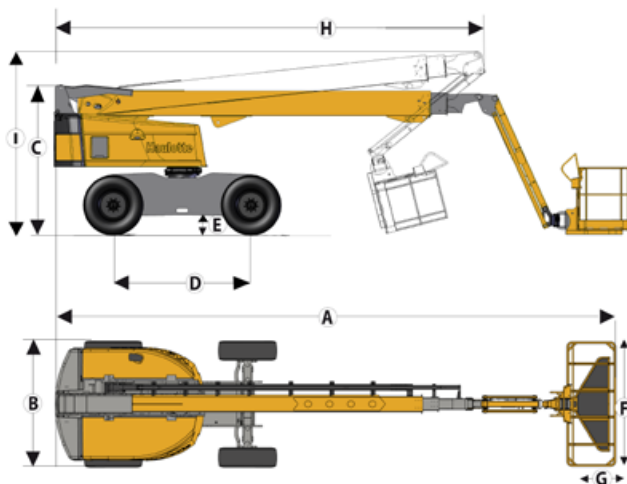
# HT67 RTJ O / PRO

## ROUGH TERRAIN TELESCOPIC BOOMS

### TECHNICAL DATA

#### HT67 RTJ O HT67 RTJ PRO 4WD/2WS 4WD/4WS

Working height	73 ft	
Platform height	67 ft	
Horizontal outreach	60 ft 5 in	
Below grade reach	13 ft 1 in	
Lift capacity	500 lb (2 pers.) / option: 990 lb (3 pers.)	
<b>F</b> x <b>G</b> Platform size	8 ft x 3 ft	
<b>A</b> Length - stowed	34 ft 3 in	
<b>H</b> Length - transport	25 ft 8 in	
<b>B</b> Width	8 ft 1 in	
<b>C</b> Height - stowed	8 ft 11 in	
<b>I</b> Height - transport	10 ft 10 in	
Vertical jib rotation	133° (+68/-65)	
Platform rotation	180° (+90/-90)	
Boom rotation angle	90° (+75/-15)	
Turret swing	360° continuous	
Tailswing	3 ft 7 in	
<b>D</b> Wheelbase	8 ft 2 in	
<b>E</b> Ground clearance	14 in	
Tilt alarm	5°	
Drive speed	0.3 - 4.0 mph	
Gradeability	40 %	
Turning radius - outside	20 ft 8 in	11 ft 2 in
Tires	385/65 - 22.5	
Fuel tank	44 gal	
Engine	Kubota 48.6kW, 66hp, Tier 4f	
Weight	29,365 lb	29,540 lb



## STANDARD EQUIPMENT << go back

- > Haulotte Activ'Lighting System (standard on PRO)
- > Haulotte Activ'Shield Bar (standard on PRO)
- > Haulotte Stop Emission System
- > Haulotte Activ'Screen onboard colored monitor screen and diagnostic system
- > Universal telematics plug
- > 4 wheel drive / 2 (O) or 4 (PRO) wheel steer
- > Front oscillating axle for increased stability on rough terrain
- > Proportional controls enhance comfort and safety
- > 4 simultaneous movements for maximum productivity
- > Automatic differential wheel lock for superior rough terrain capability
- > Upper control box protection cover and tool tray in ultra-rugged composite
- > Large modular platform 8 ft x 3 ft with swing gate
- > Platform limitation +/- 10°
- > Power to platform 110 / 230V
- > Swing out engine tray for ease of maintenance
- > Visual and audio alarms for tilt and load sensing
- > Rotating beacon
- > Driving alarm
- > Hour meter
- > Electric pump system and emergency descent
- > 12 V battery
- > Engine pre-heater with light indicator
- > Low fuel level indicator (upper control box)

### OPTIONS AND ACCESSORIES

- > Haulotte Activ'Lighting System (O model)
- > Haulotte Activ'Shield Bar 2.0 (O model)
- > Dual load capacity 500 / 1000 lb (2-3 persons)(Standard in US & Canada)
- > Narrow modular platform 5 ft 9 in x 2 ft 6 in with swing door
- > Power to platform (Standard in US & Canada)
- > Air line to platform
- > Lateral swing door entry gate
- > 3.5 kW, 6.5 kW, 12 kW hydraulic generator
- > Biodegradable hydraulic oil
- > 37 mph wind speed
- > Warm weather package
- > Cold weather package / Arctic kit
- > Pipe cradle kit
- > Glazier kit
- > Work lights

