

**AERIAL  
TITANS**

866-874-0584  
WWW.AERIALTITANS.COM

<< go back



## HA61 LE / LE PRO



### ECO-FRIENDLY

- > Electric drive and operation
- > Clean and silent operation for use in even the most sensitive work areas

### VERSATILE. WORKS ANYWHERE, ANYTIME

- > Non-marking tires for indoor use (optional)
- > 4 wheel drive for rough terrain use
- > Work silently without work site disruptions

### OPTIMAL PRODUCTIVITY

- > 360° continuous rotation turret
- > Quick, proportional and simultaneous movements
- > Platform load capacity 550 lb
- > Dual load capacity, up to 770 lb (optional)

### EXTEND DUTY CYCLE, INCREASE PRODUCTIVITY

- > Power through a full work shift
- > Multi-voltage built in charger
- > Low fuel consumption range extending generator

<< go back

# HA61 LE / LE PRO

<< go back

## STANDARD EQUIPMENT

**AERIAL  
TITANS**

866-874-0584  
WWW.AERIALTITANS.COM



## TECHNICAL

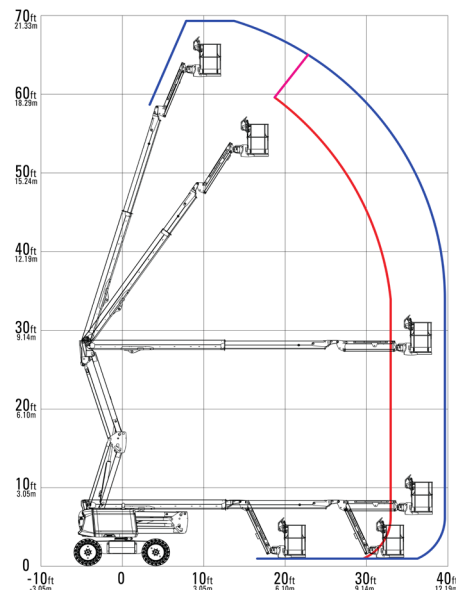
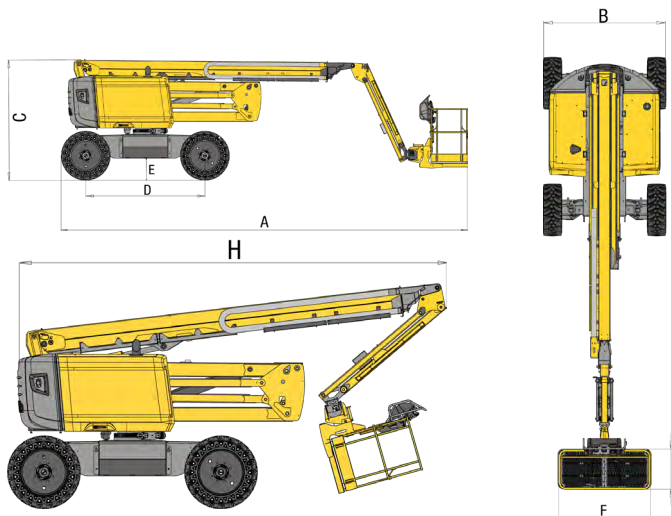
### DATA

	<b>HA61 LE</b> 4WD-2WS	<b>HA61 LE PRO</b> 4WD-4WS
Working height	67 ft 9 in	68 ft 8 in
Platform height	61 ft 3 in	61 ft 6 in
Horizontal outreach	38 ft 1 in	39 ft
Up and over clearance	27 ft 8 in	27 ft 11 in
Lift capacity	550 lb (2 pers.) - option 770 lb	550 lb (2 pers.) - option 770 lb
<b>F</b> x <b>G</b> Platform size	8 ft x 3 ft	8 ft x 3 ft
<b>A</b> Length	27 ft 8 in	28 ft
<b>B</b> Width	7 ft 10 in	7 ft 10 in
<b>C</b> Height - stowed	7 ft 10 in	8 ft 2 in
<b>H</b> Length - transport	20 ft	20 ft 3 in
Height - transport	9 ft 6 in	9 ft 10 in
Platform rotation	180° (+90° / -90°)	180° (+90° / -90°)
Turntable rotation	360° continuous	360° continuous
Tailswing	1 ft 4 in	1 ft 4 in
<b>D</b> Wheelbase	8 ft 2 in	8 ft 2 in
<b>E</b> Ground clearance	1 ft 2 in	1 ft 6 in
Tilt alarm	4 °	4 °
Drive speed	0.4 - 3.1 mph	0.4 - 3.1 mph
Gradeability	45 %	45 %
Tires - solid, rough terrain	33.5 x 13.4 in	40.4 x 14.4 in
Turning radius - outside	14 ft 9 in	12 ft 4 in
Weight	20668 lbs	21 572 lb
Batteries	12 x 6 V - 435 Ah (C20)	
Range extender	Kubota Tier 4 Final - 18.5 kW	

- > Haulotte Activ'Lighting System
- > Haulotte Activ'Shield Bar 2.0 (LE PRO model)
- > Haulotte Activ'Screen
- > Universal telematics plug
- > 72 V battery pack (435 Ah)
- > Centralized battery watering system
- > Battery charge indicator at upper and lower control boxes
- > Multi-voltage charger (110 - 230 V) and integrated range extender (18.5 kW)
- > Haulotte Activ'Energy Management: smart battery management system
- > 4 wheel drive: brushless AC motors at each wheel
- > 4 wheel steer (LE PRO), 2 wheel steer (LE)
- > Front oscillating axle
- > Smooth and proportional movements
- > Upper control box cover
- > Tool tray
- > Large modular platform 8 ft x 3 ft with swing gate
- > 120 V power to platform
- > Swing out engine tray
- > Sound and light alarm for tilt and load
- > Travel alarm
- > Rotating beacon

## OPTIONS AND ACCESSORIES

- > Non-marking tires
- > Dual load capacity 550 lb / 770 lb
- > Haulotte Activ'Shield Bar 2.0 (LE model)
- > Large modular platform 8 ft x 3ft (standard for North America)
- > Lateral swing gate (Standard fro North America)
- > Pipe cradle
- > Glazier pack
- > 120 V power to platform (standard for North America)
- > Biodegradable hydraulic oil
- > Cold Weather Package (- 4°F / - 20°C)
- > Anti overspeed kit
- > Air-line to platform 1/2 inch
- > Flashing light



<< go back

3409 Chandler Creek Road - Virginia Beach - VA - 23453 · Tel: 757.689.2146 · Toll Free: 800.537.0540  
www.haulotte-usa.com

**Haulotte**  
LET'S DARE TOGETHER