

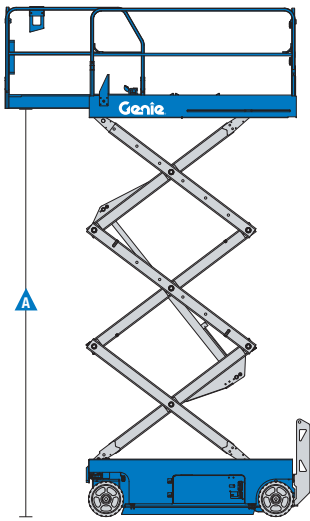
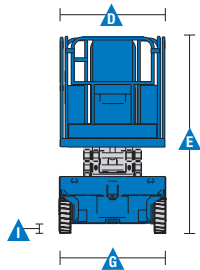
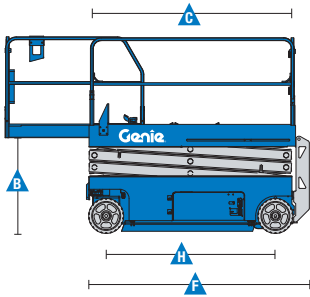


# Self-Propelled Scissor Lifts

GS™ -2046, GS-2646 & GS-3246

## Specifications

Models	GS-2046		GS-2646		GS-3246	
Measurements	US	Metric	US	Metric	US	Metric
Working height maximum - indoor <sup>1</sup>	26 ft 1 in	8.13 m	32 ft 1 in	9.96 m	38 ft 1 in	11.78 m
- outdoor <sup>1</sup>	22 ft 4 in	6.98 m	25 ft 8 in	7.99 m	28 ft	8.71 m
<b>A</b> Platform height maximum - indoor	20 ft 1 in	6.13 m	26 ft 1 in	7.96 m	32 ft 1 in	9.78 m
- outdoor	16 ft 4 in	4.98 m	19 ft 8 in	5.99 m	22 ft	6.71 m
<b>B</b> Platform height stowed	3 ft 5 in	1.05 m	3 ft 11 in	1.18 m	4 ft 3 in	1.30 m
<b>C</b> Platform length - outside	7 ft 5 in	2.26 m	7 ft 5 in	2.26 m	7 ft 5 in	2.26 m
extended	10 ft 5 in	3.18 m	10 ft 5 in	3.18 m	10 ft 5 in	3.18 m
Roll-out platform extension deck	3 ft	0.91 m	3 ft	0.91 m	3 ft	0.91 m
<b>D</b> Platform width - outside	3 ft 9.5 in	1.16 m	3 ft 9.5 in	1.16 m	3 ft 9.5 in	1.16 m
Guardrail height	3 ft 7 in	1.1 m	3 ft 7 in	1.1 m	3 ft 7 in	1.1 m
Toeboard height	6 in	15 cm	6 in	15 cm	6 in	15 cm
<b>E</b> Height - stowed: folding rails	7 ft 1 in	2.15 m	7 ft 6 in	2.3 m	7 ft 11 in	2.4 m
rails folded	5 ft 1 in	1.56 m	5 ft 6 in	1.68 m	5 ft 9 in	1.80 m
<b>F</b> Length - stowed	8 ft	2.44 m	8 ft	2.44 m	8 ft	2.44 m
extended	10 ft 11 in	3.33 m	10 ft 11 in	3.33 m	10 ft 11 in	3.33 m
<b>G</b> Width	3 ft 10 in	1.16 m	3 ft 10 in	1.16 m	3 ft 10 in	1.16 m
<b>H</b> Wheelbase	6 ft 1 in	1.85 m	6 ft 1 in	1.85 m	6 ft 1 in	1.85 m
<b>I</b> Ground clearance - center	3.75 in	10 cm	3.75 in	10 cm	3.75 in	10 cm
- with pothole guards deployed	0.75 in	2 cm	0.75 in	2 cm	0.75 in	2 cm



## Productivity

Maximum platform occupancy (in/out)	2/1		2/1		2/1	
Lift capacity	1,200 lbs	544 kg	1,000 lbs	454 kg	700 lbs	318 kg
Lift capacity - extension deck	250 lbs	113 kg	250 lbs	113 kg	250 lbs	113 kg
Drive height	full height		full height		full height	
Drive speed - stowed	2.0 mph	3.2 km/h	2.0 mph	3.2 km/h	2.0 mph	3.0 km/h
Drive speed - raised	0.5 mph	0.8 km/h	0.5 mph	0.8 km/h	0.5 mph	0.8 km/h
Gradeability - stowed <sup>2</sup>	30%		30%		25%	
Turning radius - inside	zero		zero		zero	
Turning radius - outside	7 ft 6 in	2.29 m	7 ft 6 in	2.29 m	7 ft 6 in	2.29 m
Raise / lower speed	28 / 28 sec		28 / 28 sec		57 / 28 sec	
Tilt sensor activation - front to back	3°		3°		3°	
- side to side	1.5°		1.5°		1.5°	
Controls	proportional		proportional		proportional	
Drive	dual front wheel		dual front wheel		dual front wheel	
Multiple disc brakes	dual rear wheel		dual rear wheel		dual rear wheel	
Tires - solid non-marking	15 x 5 in	38 x 13 cm	15 x 5 in	38 x 13 cm	15 x 5 in	38 x 13 cm

## Power

Power source (batteries)	24 V DC (four 6 V 225 Ah batteries)		24 V (four 6 V 225 Ah batteries)		24 V (four 6 V 225 Ah batteries)	
Hydraulic system capacity	4.5 gal	17 L	4.5 gal	17 L	4.5 gal	17 L

## Weight<sup>3</sup> / Floor Loading<sup>4</sup>

Weight - ANSI/CSA	3,912 lbs	1,774 kg	4,823 lbs	2,188 kg	5,358 lbs	2,430 kg
Tire load, maximum:	2,073 lbs	940 kg	2,066 lbs	937 kg	2,257 lbs	1,024 kg
Tire contact pressure:	136 psi	938 kPa	136 psi	935 kPa	148 psi	1,021 kPa
Occupied floor pressure:	180 psf	8.63 kPa	205 psf	9.83 kPa	214 psf	10.23 kPa

## Standards Compliance

ANSI A92.20, CSA B354.6, CE EN280, AS 1418.10

<sup>1</sup> The metric equivalent of working height adds 2 m to platform height. U.S. adds 6 ft to platform height.

<sup>2</sup> Gradeability applies to driving on slopes, see operator's manual for details regarding slope ratings.

<sup>3</sup> Weight will vary depending on options and/or country standards.

<sup>4</sup> Note: Floor loading information is approximate and does not incorporate different option configurations. It should be used only with adequate safety factors.



# Self-Propelled Scissor Lifts

## GS™ -2046, GS-2646 & GS-3246

### Features

#### Standard Features

##### Measurements

###### GS-2046

- 26 ft (8.10 m) working height
- Up to 1,200 lbs (545 kg) lift capacity

###### GS-2646

- 32 ft (9.92 m) working height
- Up to 1,000 lbs (454 kg) lift capacity

###### GS-3246

- 38 ft (11.75 m) working height
- Up to 700 lbs (318 kg) lift capacity

##### Productivity

- 89 x 45.3 in (2.26 x 1.15 m) steel platform
- 36 in (.91 m) extension deck
- Folding rails with full height swing gate
- Drive at full height
- Dual front wheel drive
- Universal 27A smart charger
- Rear recessed charger receptacle
- SmartLink™ - dual zone control
- Proportional lift and drive
- Platform load sense system
- Platform control guard
- Platform control with battery charge indicator and diagnostic display
- On-board diagnostic system
- AC power to platform
- Lanyard attachment points
- Manual platform lowering valve
- Emergency stop at both platform and ground controls
- Rear wheel multiple disc brakes
- Front wheel hydraulic dynamic braking
- Manual hydraulic brake release
- Swing-out component trays
- Solid non-marking tires
- Pothole guards
- Tilt level sensor with audible alarm

#### Standard Features

##### Productivity (continued)

- Dual flashing LED beacons
- Descent alarm
- Electronic horn
- Hour meter
- Motion alarm
- Lift Connect™ Telematics
- Tech Pro™ Link compatible

##### Power

- 24 V DC (four 6 V 225 Ah batteries)

#### Options & Accessories

##### Productivity Options

- Air line to platform
- Automotive horn\*
- Biodegradable hydraulic fluid
- Platform control guard
- Lift Tools™ Pipe Cradle
- Lift Tools Panel Cradle
- Lift Tools Work Tray
- Lift Guard™ Contact Alarm

##### Power Options

- Power inverter (120 V/60 Hz)<sup>1</sup>
- EE rating
- AGM maintenance-free batteries
- Drive cutout while charging



<< go back

**AERIAL TITANS**  
**866-874-0584**  
**WWW.AERIALTITANS.COM**

<sup>1</sup> Not available with EE rating

#### Genie United States

6464 185th Ave. NE  
 Redmond, WA 98052  
 Telephone +1 (425) 881-1800  
 Toll Free in USA/Canada +1 (800)-536-1800  
 Fax +1 (425) 883-3475

#### Distributed By:

Effective Date: November, 2019. Product specifications and prices are subject to change without notice or obligation. The photographs and/or drawings in this document are for illustrative purposes only. Refer to the appropriate Operator's Manual for instructions on the proper use of this equipment. Failure to follow the appropriate Operator's Manual when using our equipment or to otherwise act irresponsibly may result in serious injury or death. The only warranty applicable to our equipment is the standard written warranty applicable to the particular product and sale and we make no other warranty, express or implied. Products and services listed may be trademarks, service marks or trade names of Terex Corporation and/or their subsidiaries in the USA and many other countries. Terex, Genie and AWP are registered trademarks of Terex Corporation or its subsidiaries. © 2019 Terex Corporation.