

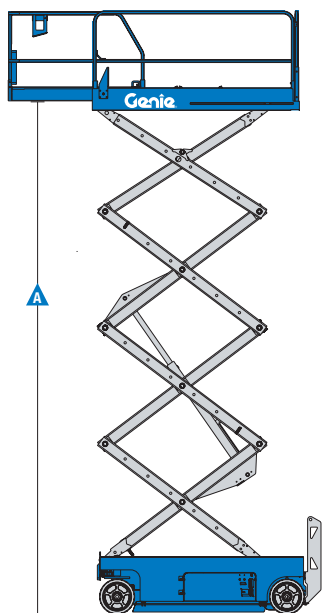
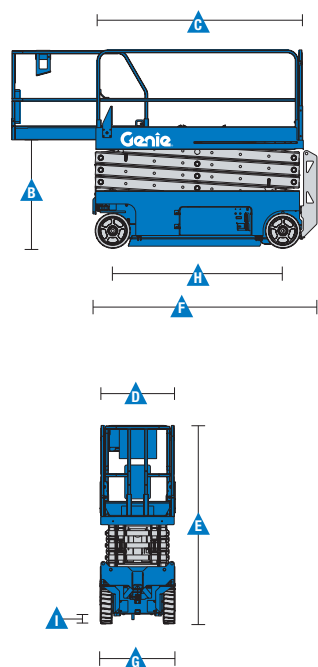


A TEREX BRAND

Self-Propelled Scissor Lifts

GS™ -2032, GS-2632 & GS-3232

Specifications



Models	GS-2032		GS-2632		GS-3232	
Measurements	US	Metric	US	Metric	US	Metric
Working height maximum - indoor ¹	26 ft 1 in	8.13 m	32 ft 1 in	9.96 m	38 ft 1 in	11.78 m
- outdoor ¹	22 ft	6.88 m	25 ft	7.79 m	24 ft	7.49 m
A Platform height maximum - indoor	20 ft 1 in	6.13 m	26 ft 1 in	7.96 m	32 ft 1 in	9.78 m
- outdoor	16 ft	4.88 m	19 ft	5.79 m	18 ft	5.49 m
B Platform height stowed	3 ft 5 in	1.05 m	3 ft 11 in	1.18 m	4 ft 3 in	1.30 m
C Platform length - outside	7 ft 5 in	2.26 m	7 ft 5 in	2.26 m	7 ft 5 in	2.26 m
extended	10 ft 5 in	3.18 m	10 ft 5 in	3.18 m	10 ft 5 in	3.18 m
Roll-out platform extension deck	3 ft	0.91 m	3 ft	0.91 m	3 ft	0.91 m
D Platform width - outside	2 ft 8 in	0.81 m	2 ft 8 in	0.81 m	2 ft 8 in	0.81 m
Guardrail height	3 ft 7 in	1.1 m	3 ft 7 in	1.1 m	3 ft 7 in	1.1 m
Toeboard height	6 in	15 cm	6 in	15 cm	6 in	15 cm
E Height-stowed: folding rails	7 ft 1 in	2.16 m	7 ft 6 in	2.3 m	7 ft 11 in	2.4 m
rails folded	5 ft 11 in	1.8 m	6 ft 4 in	1.94 m	6 ft 9 in	2.05 m
F Length - stowed	8 ft	2.44 m	8 ft	2.44 m	8 ft	2.44 m
Length - extended	10 ft 11 in	3.33 m	10 ft 11 in	3.33 m	10 ft 11 in	3.33 m
G Width	2 ft 8 in	0.81 m	2 ft 8 in	0.81 m	2 ft 8 in	0.81 m
H Wheelbase	6 ft 1 in	1.85 m	6 ft 1 in	1.85 m	6 ft 1 in	1.85 m
I Ground clearance - center	3.5 in	8.9 cm	3.5 in	8.9 cm	3.5 in	8.9 cm
- with pothole guards deployed	0.88 in	2.2 cm	0.88 in	2.2 cm	0.88 in	2.2 cm

Productivity

Maximum platform occupancy (in/out)	2/1		2/1		2/1	
Lift capacity	800 lbs	363 kg	500 lbs	227 kg	500 lbs	227 kg
Extension deck capacity	250 lbs	113 kg	250 lbs	113 kg	250 lbs	113 kg
Drive height	full height		full height		22 ft	6.71 m
Drive speed - stowed	2.2 mph	3.5 km/h	2.2 mph	3.5 km/h	2.2 mph	3.5 km/h
Drive speed - raised	0.5 mph	0.8 km/h	0.5 mph	0.8 km/h	0.5 mph	0.8 km/h
Gradeability - stowed ²	30%		25%		25%	
Maximum outrigger leveling:	front to back				3°	
Maximum outrigger leveling:	side to side				5°	
Turning radius - inside	zero		zero		zero	
Turning radius - outside	7 ft	2.13 m	7 ft	2.13 m	7 ft	2.13 m
Raise / lower speed	28 / 24 sec		28 / 24 sec		55 / 28 sec	
Tilt sensor activation - front to back	3°		3°		3°	
- side to side	1.5°		1.5°		1.5°	
Controls	proportional		proportional		proportional	
Drive	dual front wheel		dual front wheel		dual front wheel	
Multiple disc brakes	dual rear wheel		dual rear wheel		dual rear wheel	
Tires - solid non-marking	15 x 5 in	38 x 13 cm	15 x 5 in	38 x 13 cm	15 x 5 in	38 x 13 cm

Power

Power source	24 V DC (four 6V 225 Ah batteries)		24 V DC (four 6V 225 Ah batteries)		24 V DC (four 6V 225 Ah batteries)	
Hydraulic system capacity	4.5 gal	17 L	4.5 gal	17 L	4.5 gal	17 L

Weight³ / Floor Loading⁴

Weight - ANSI, CSA	4,059 lbs	1,841 kg	4,832 lbs	2,192 kg	5,585 lbs	2,533 kg
Tire load, maximum	1,692 lbs	767 kg	1,820 lbs	826 kg	1,909 lbs	866 kg
Tire contact pressure	111 psi	766 kPa	119 psi	824 kPa	125 psi	864 kPa
Occupied floor pressure	247 psf	11.82 kPa	270 psf	12.91 kPa	307 psf	14.72 kPa

Standards Compliance ANSI A92.20, CSA B354.6, CE EN280, AS 1418.10

¹ The metric equivalent of working height adds 2 m to platform height. U.S. adds 6 ft to platform height.

² Gradeability applies to driving on slopes, see operator's manual for details regarding slope ratings.

³ Weight will vary depending on options and/or country standards.

⁴ Note: Floor loading information is approximate and does not incorporate different option configurations. It should be used only with adequate safety factors.



Self-Propelled Scissor Lifts

GS™ -2032, GS-2632 & GS-3232

Features

Standard Features	Standard Features	Options & Accessories
-------------------	-------------------	-----------------------

Measurements

GS-2032

- 26 ft 1 in (8.13 m) working height
- Up to 800 lbs (363 kg) lift capacity

GS-2632

- 32 ft 1 in (9.96 m) working height
- Up to 500 lbs (227 kg) lift capacity

GS-3232

- 38 ft 1 in (11.78 m) working height
- Up to 500 lbs (227 kg) lift capacity

Productivity

- 89 x 32 in (2.26 x .81 m) steel platform
- 3 ft (.91 m) extension deck
- Folding rails with half-height swing gate (standard on GS™-2632, GS™-3232)
- Automatic leveling outriggers (GS™-3232 only)
- Dual front wheel drive
- Universal 27A smart charger
- Rear recessed charger receptacle
- SmartLink™ - dual zone control
- Proportional lift and drive
- Platform load sense system
- Platform control guard
- Platform control with battery charge indicator and diagnostic display
- On-board diagnostic system
- AC power to platform
- Lanyard attachment points
- Manual platform lowering valve
- Emergency stop at both platform and ground controls
- Rear wheel multiple disc brakes
- Front wheel hydraulic dynamic braking
- Manual hydraulic brake release
- Swing-out component trays
- Solid non-marking tires
- Pothole guards
- Tilt level sensor with audible alarm

Productivity (continued)

- Dual flashing LED beacons
- Descent alarm
- Electronic horn
- Hour meter
- Motion alarm
- Lift Connect™ Telematics
- Tech Pro™ Link compatible

Power

- 24 V DC (four 6 V 225 Ah batteries)

Productivity Options

- Folding rails with half-height swing gate
- Platform swing gate, half-height (GS™-2032)
- Air line to platform
- Automotive horn*
- Biodegradable hydraulic fluid
- Lift Tools™ Pipe Cradle
- Lift Tools Panel Cradle
- Lift Tools Work Tray
- Lift Guard™ Contact Alarm

Power Options

- Power Inverter (120 V/60 Hz)¹
- EE rating
- AGM maintenance-free batteries
- Drive cutout while charging



<< go back

AERIAL TITANS
866-874-0584
WWW.AERIALTITANS.COM

¹ Not available with EE rating

Genie United States

6464 185th Ave. NE
 Redmond, WA 98052
 Telephone +1 (425) 881-1800
 Toll Free in USA/Canada +1 (800)-536-1800
 Fax +1 (425) 883-3475

Distributed By:



Effective Date: November, 2019. Product specifications and prices are subject to change without notice or obligation. The photographs and/or drawings in this document are for illustrative purposes only. Refer to the appropriate Operator's Manual for instructions on the proper use of this equipment. Failure to follow the appropriate Operator's Manual when using our equipment or to otherwise act irresponsibly may result in serious injury or death. The only warranty applicable to our equipment is the standard written warranty applicable to the particular product and sale and we make no other warranty, express or implied. Products and services listed may be trademarks, service marks or trade names of Terex Corporation and/or their subsidiaries in the USA and many other countries. Terex, Genie and AWP are registered trademarks of Terex Corporation or its subsidiaries. © 2019 Terex Corporation.