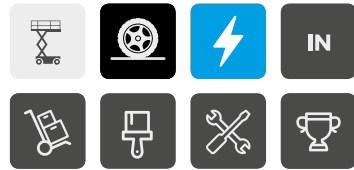




**COMPACT**  
**2747 E / 3347 E**



**EXCEPTIONAL  
PRODUCTIVITY**

- > Load capacity up to 1000 lbs (C 2747 E)
- > Driveable at full height
- > Indoor & outdoor use with the same load capacity
- > 3 ft extension platform
- > 47 in width

**RELIABLE AND EASY  
TO MAINTAIN**

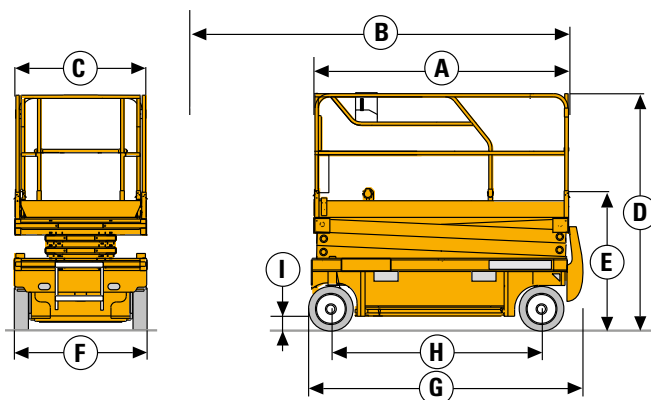
- > Extended duty cycles

**AERIAL  
TITANS**  
866-874-0584  
WWW.AERIALTITANS.COM

## ELECTRIC SCISSOR LIFTS

### TECHNICAL DATA

	COMPACT 2747 E	COMPACT 3347 E
Working height	32 ft 9 in	38 ft 9 in
Platform height	26 ft 9 in	32 ft 9 in
Driveable at full height up to	26 ft 9 in	32 ft 9 in
Lift capacity - inside	1,000 lb (2 pers.)	660 lb (2 pers.)
Lift capacity - extension	330 lb	330 lb
<b>A</b> Platform length - outside	6 ft 7 in	7 ft 7 in
<b>B</b> Platform length - extended	10 ft 7 in	10 ft 7 in
Extension length	3 ft	3 ft
<b>C</b> Platform width - outside	3 ft 11 in	3 ft 11 in
<b>E</b> Storage height	4 ft 7 in	5 ft
<b>D</b> Height - stowed	7 ft 5 in	7 ft 10 in
<b>F</b> Overall width	3 ft 11 in	3 ft 11 in
<b>G</b> Length	8 ft 2 in	8 ft 2 in
<b>H</b> Wheelbase	6 ft 1 in	6 ft 1 in
<b>I</b> Ground clearance	6 in	6 in
Ground clearance - pothole guards deployed	1 in	1 in
Drive speed	0.5 - 1.8 mph	0.5 - 1.8 mph
Gradeability	23 %	23 %
Tilt alarm	2 °	2 °
Turning radius - outside	8 ft 2 in	8 ft 2 in
Non-marking tires	15 x 5	15 x 5
Batteries	24 V - 330 Ah (C20)	24 V - 340 Ah (C 20)
Hydraulic system capacity	7 gal	7 gal
Weight	5,138 lb	5,446 lb



### STANDARD EQUIPMENT

- > Non-marking tires
- > Free wheeling device
- > Removable platform control box
- > Proportional lift and drive
- > Platform load management system
- > Tilt alarm
- > Swing out component tray
- > Horn
- > Hour meter
- > Battery charger 110 V / 60 Hz
- > Battery charge indicator
- > Manual platform lowering valve
- > Tow hooks
- > Pothole protection
- > Integrated forklift pockets

### OPTIONS AND ACCESSORIES

- > Power to the platform
- > Biodegradable hydraulic oil
- > Traction batteries
- > Maintenance-free batteries
- > Centralized battery filling
- > Travel alarm
- > Flashing light
- > Working light
- > Folding guardrails

