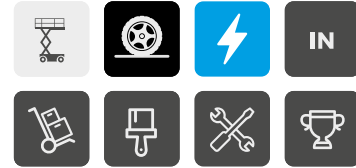


AERIAL TITANS

866-874-0584
WWW.AERIALTITANS.COM

<< go back

Compact **2632 E**



OPTIMUM COMPACTNESS

- > 32 in width operates in the most narrow areas
- > Compact stowed height for easy access through standard doorways

EXCEPTIONAL PRODUCTIVITY

- > Driveable at full height
- > 3 ft extension platform
- > Long duty cycles

RELIABLE AND EASY TO MAINTAIN

AERIAL TITANS

866-874-0584

WWW.AERIALTITANS.COM

<< go back

Haulotte 
EQUIPMENT

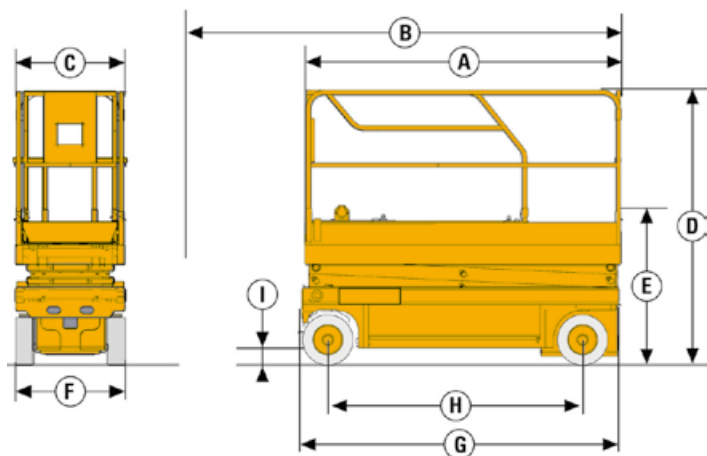
Compact 2632 E

ELECTRIC SCISSOR LIFTS

TECHNICAL DATA

COMPACT 2632 E

Working height	32 ft 3 in
Platform height	26 ft 3 in
Driveable at full height up to	26 ft 3 in
Lift capacity - inside	500 lb (2 pers.)
Lift capacity - outside	N/A
Lift capacity - extension	265 lb
A Platform length - outside	7 ft 7 in
B Platform length - extended	10 ft 7 in
Extension length	3 ft
C Platform width - outside	2 ft 8 in
E Storage height	4 ft 4 in
D Height - stowed	7 ft 2 in
F Overall width	2 ft 8 in
G Length	8 ft 2 in
H Wheelbase	6 ft 1 in
I Ground clearance	5 in
Ground clearance - pothole guards deployed	1 in
Drive speed	0.6 - 2.0 mph
Gradeability	23 %
Tilt alarm	2 °
Turning radius - outside	7 ft 10 in
Non-marking tires	15 x 5
Batteries	24 V - 225 Ah (C20)
Hydraulic system capacity	7 gal
Weight	4,829 lb



STANDARD EQUIPMENT

- > 2 front steering & driving wheels
- > Non-marking tires
- > Free wheeling device
- > Proportional lift and drive controls
- > Removable control box in platform
- > Load management system in the platform
- > Tilt alarm
- > Slideout battery compartment
- > Horn
- > Hour meter
- > 24 V DC motor
- > Battery charger 110 V / 60 Hz
- > Battery charge indicator
- > Manual platform lowering valve
- > Towing hooks
- > Pothole protection
- > Fold down guardrails
- > Forklift pockets

OPTIONS AND ACCESSORIES

- > Power to the platform
- > Biodegradable hydraulic oil
- > Centralized battery filling
- > Telematics ready
- > Motion alarm (travel and elevate)
- > Flashing beacon
- > 70 W platform working light

